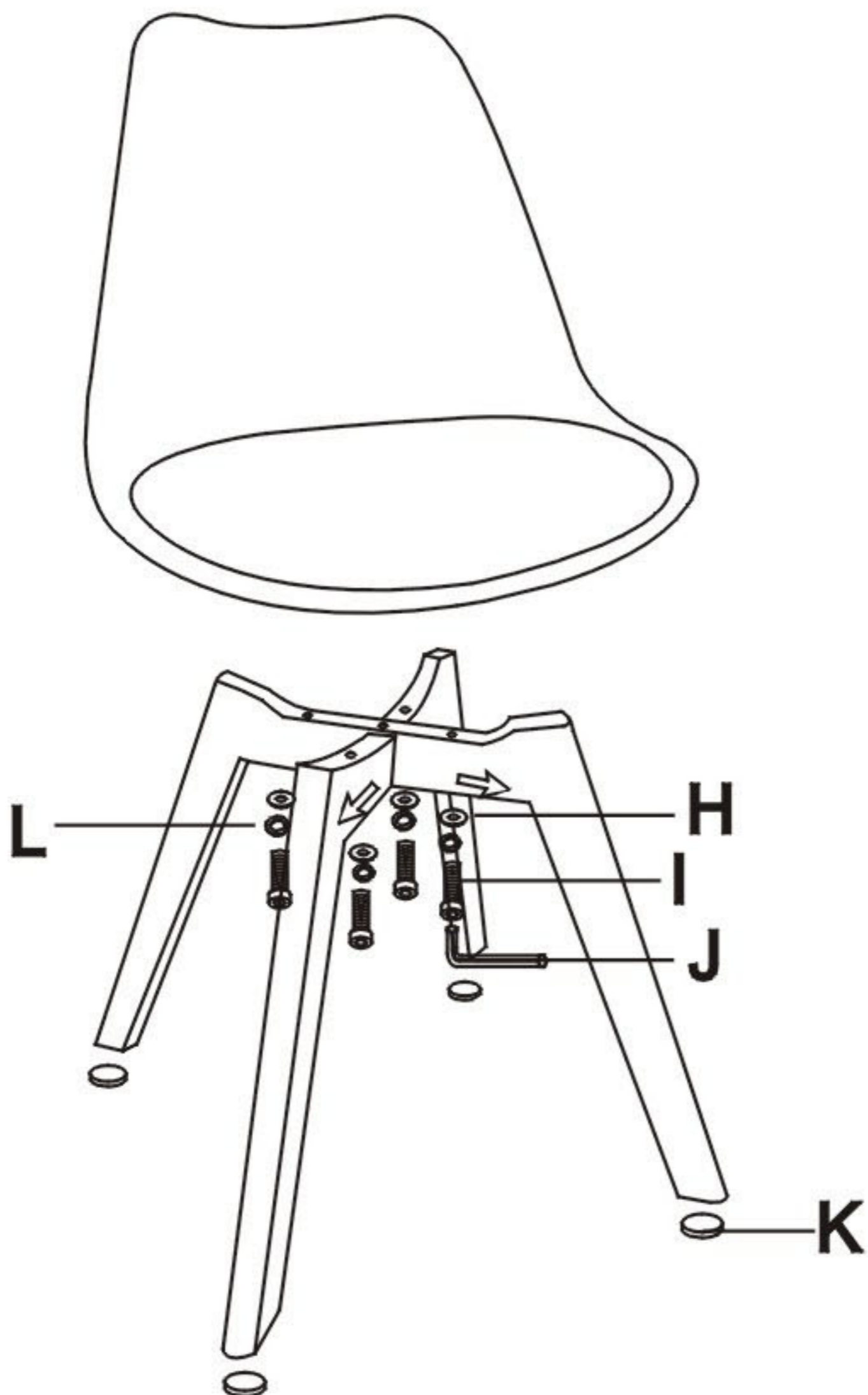
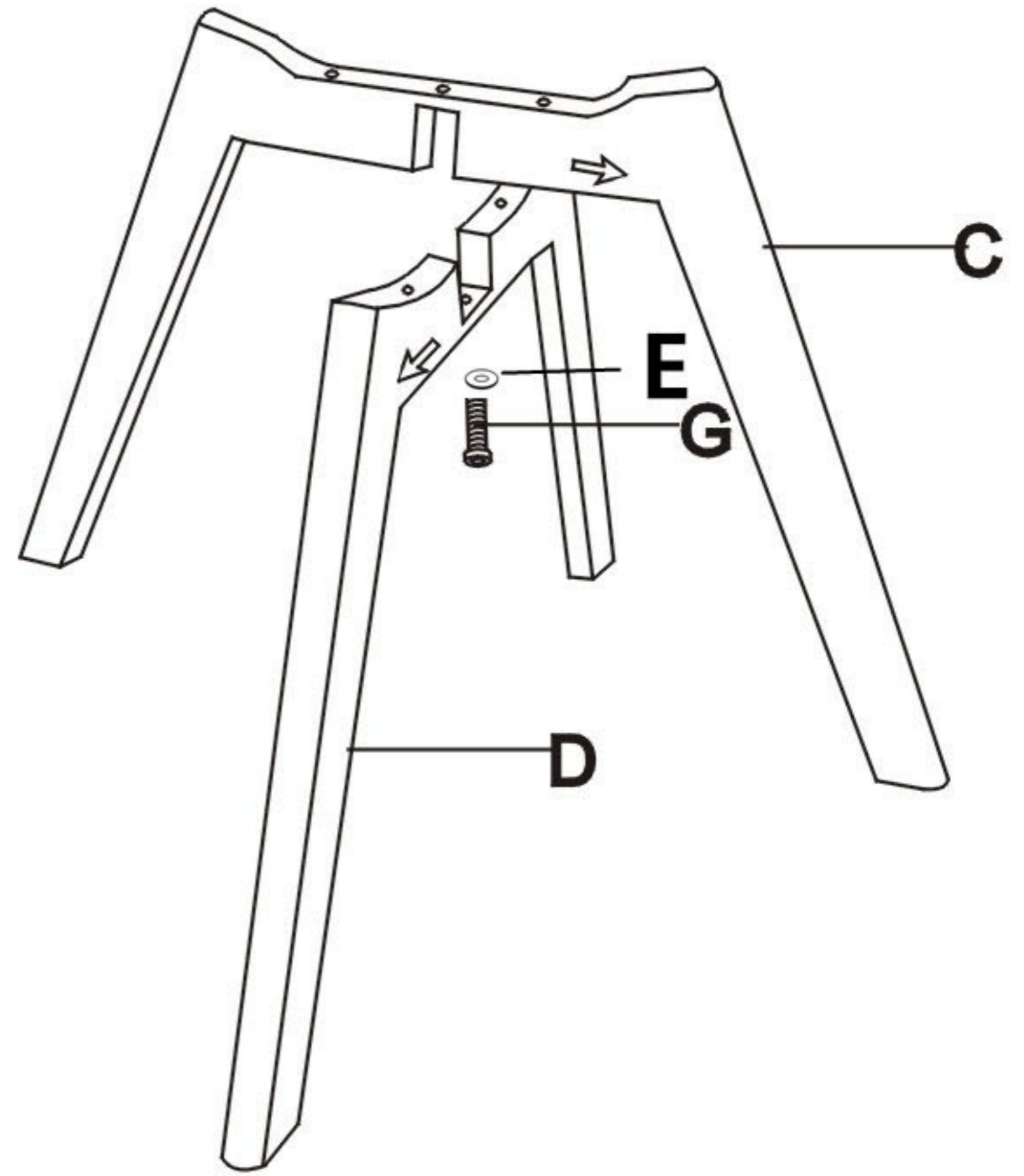
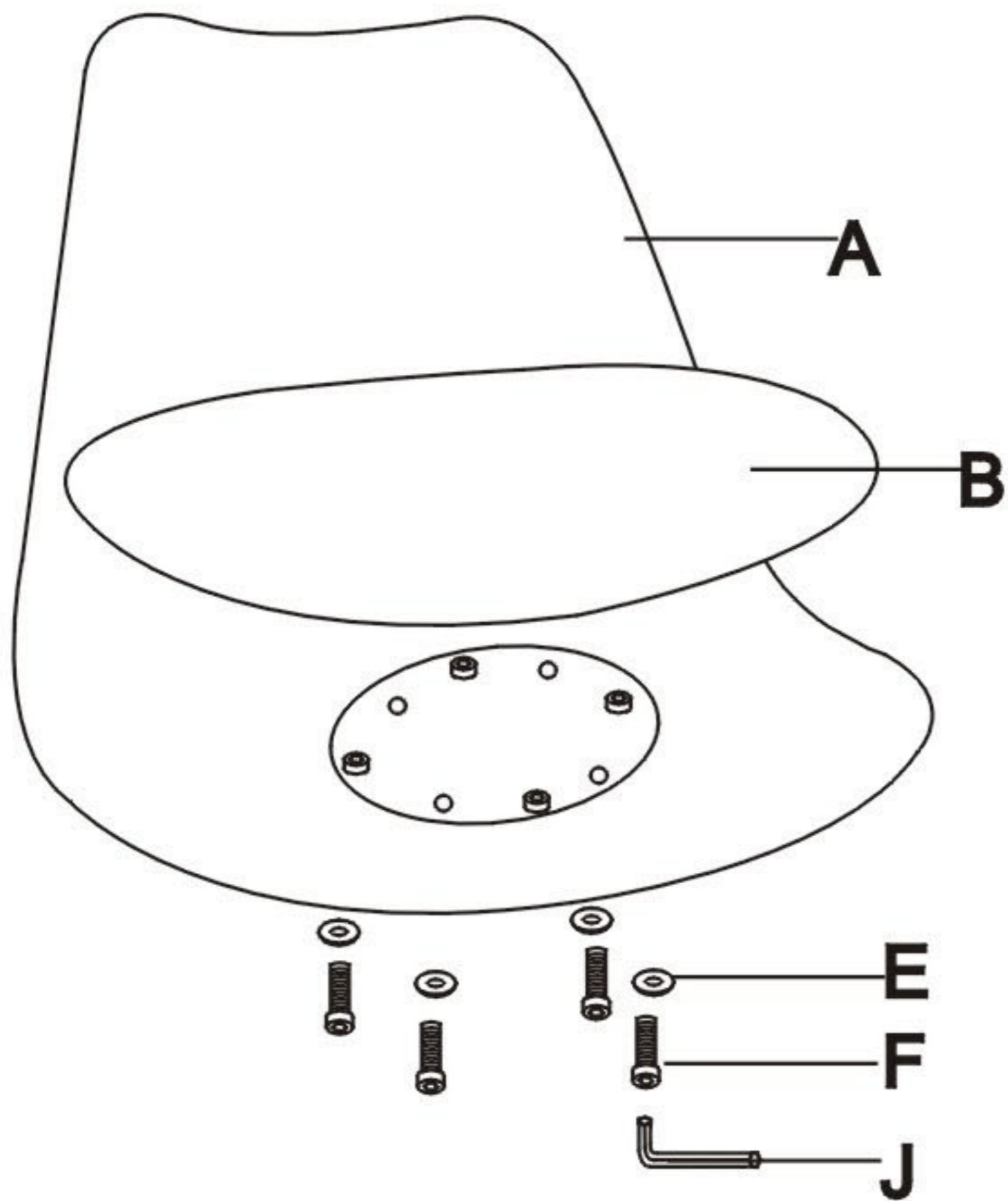


Assembly Instruction



Ax1 	Bx1 	Cx1
Dx1 	Ex5 	Fx4
Gx1 	Hx4 	Ix4
Jx1 	Kx4 	Lx4