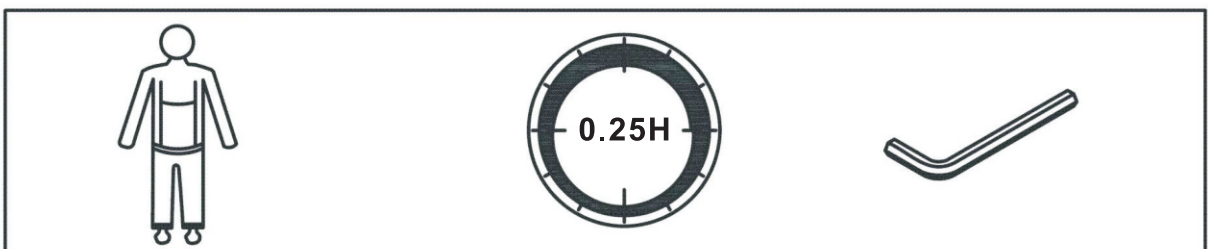
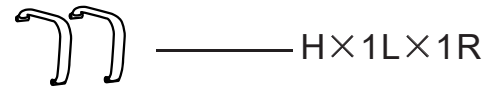
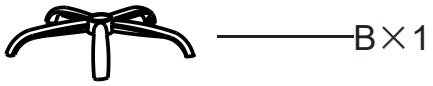


# EARTH

---



# EARTH



I×4



J×2



K×2



L×4



M×3



N×8

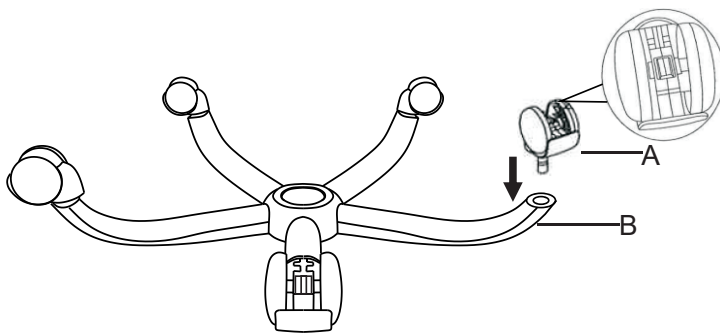


O×4

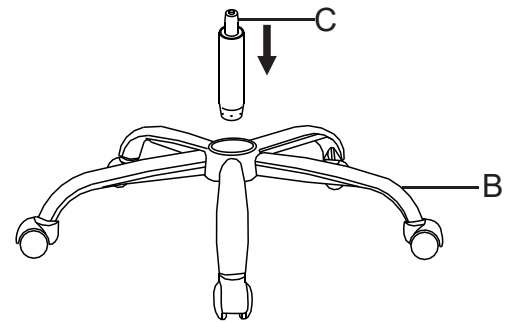


P×1

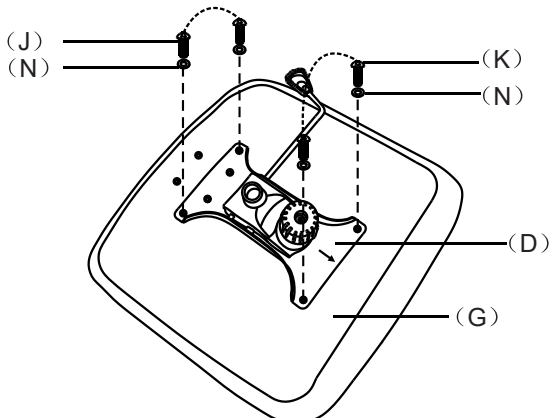
1



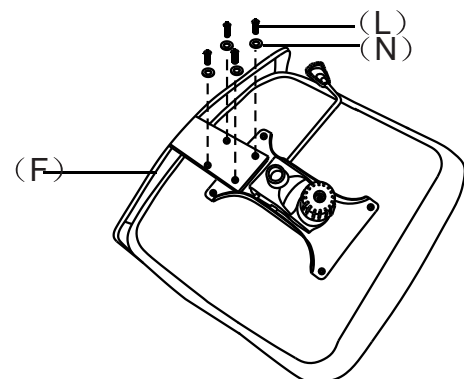
2



3



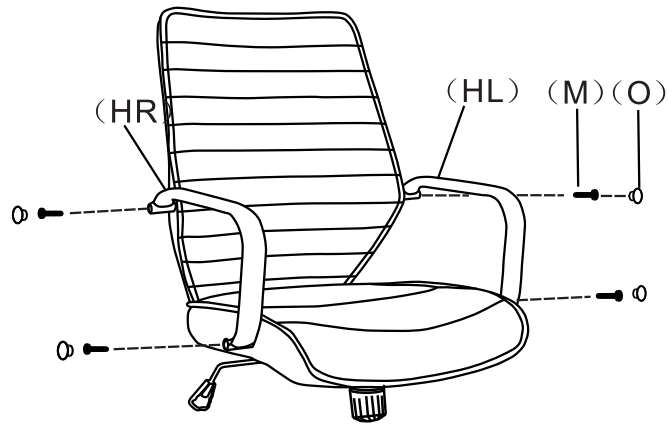
4



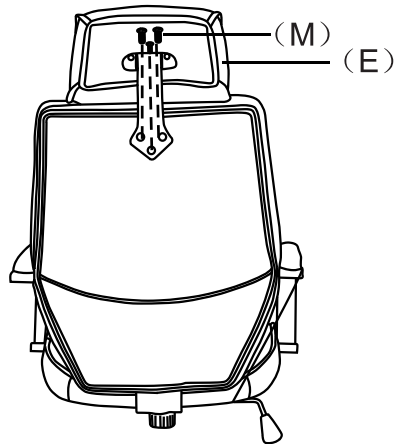
# EARTH

---

5



6

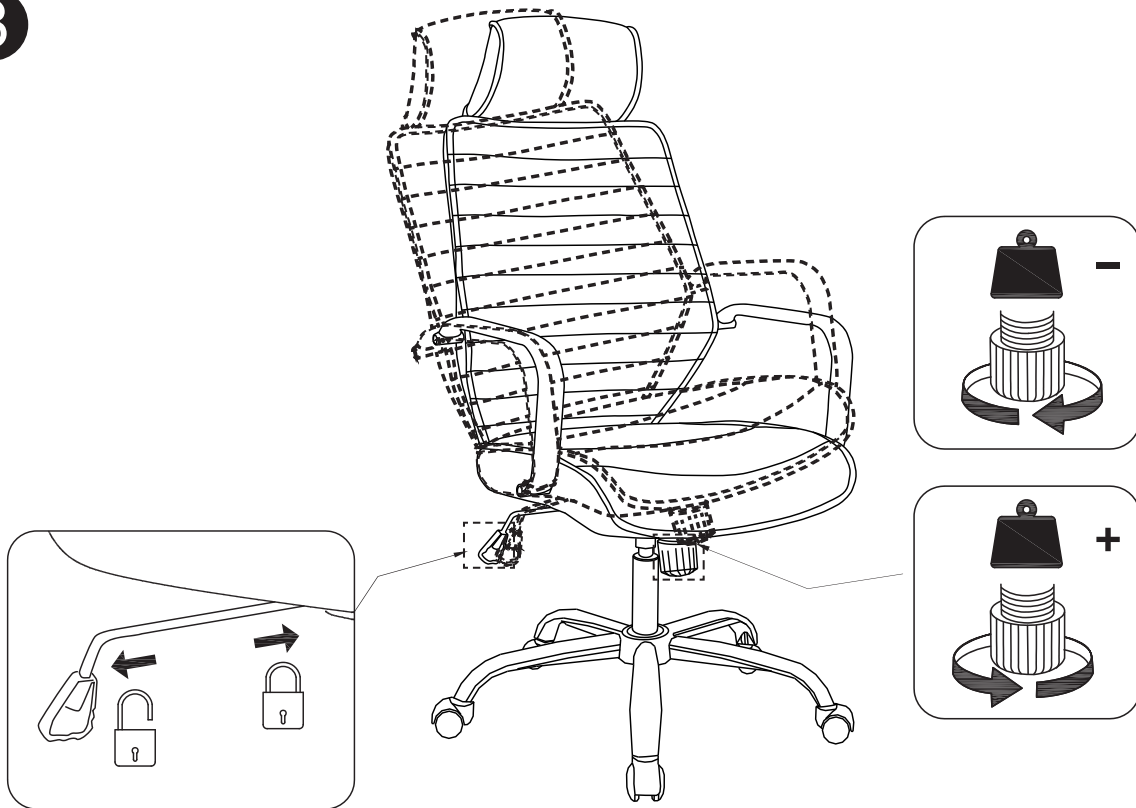


7

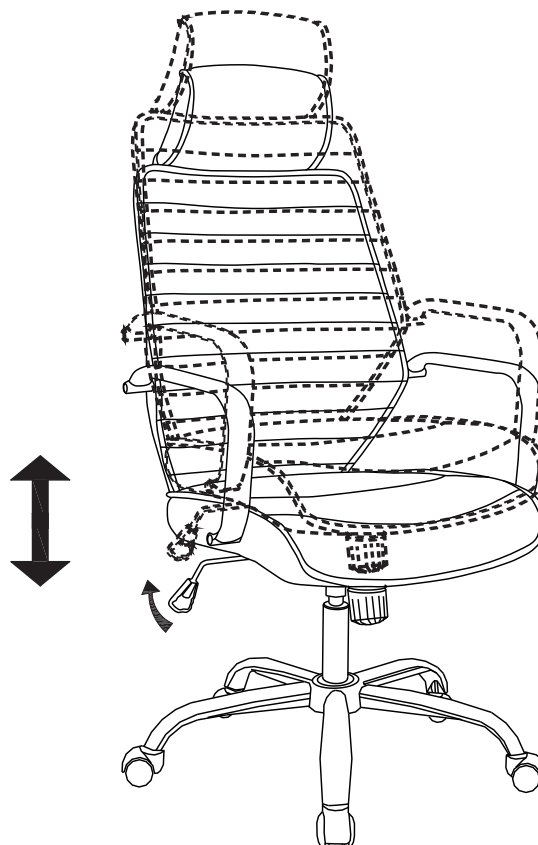


# EARTH

8



9



# EARTH

---

