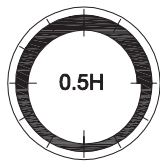
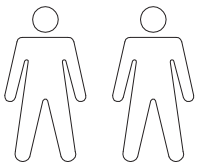
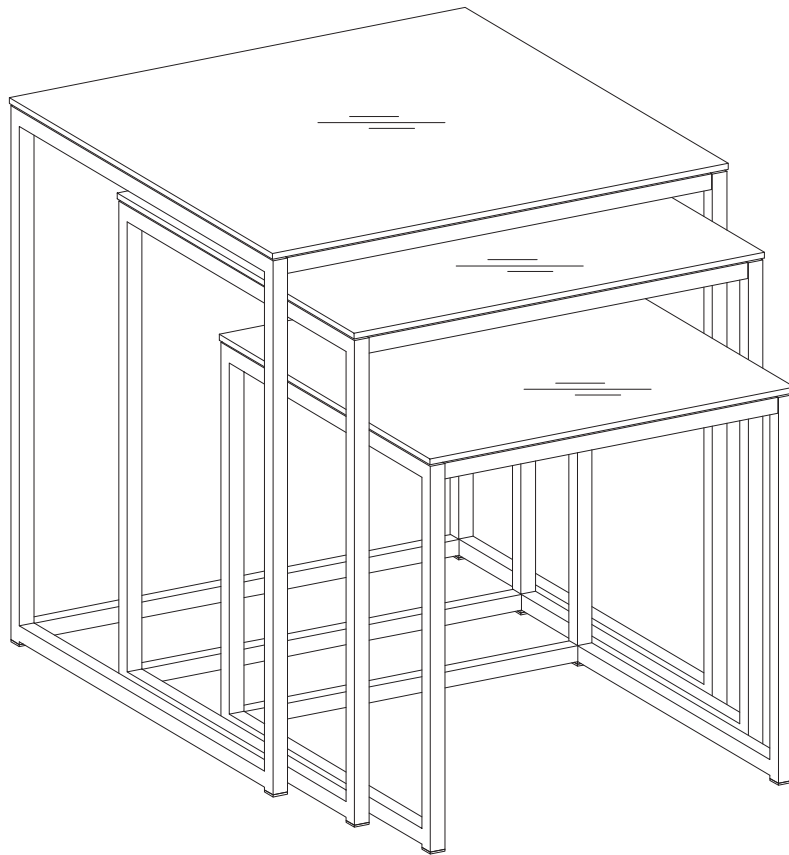
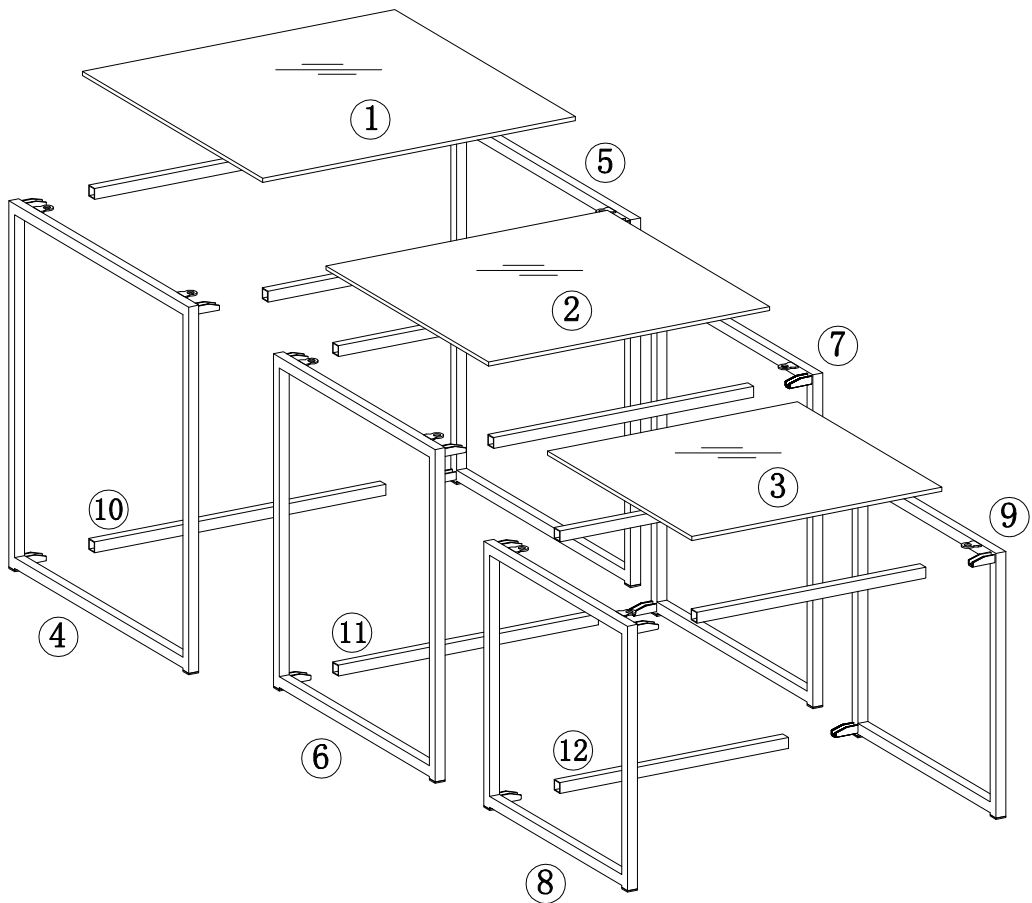
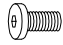




ALISMA-nest 3 tables

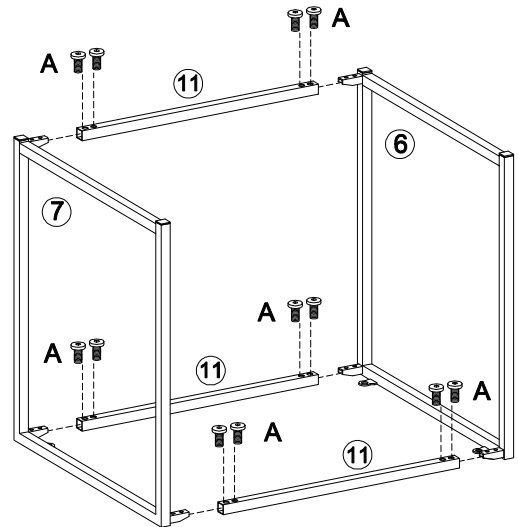
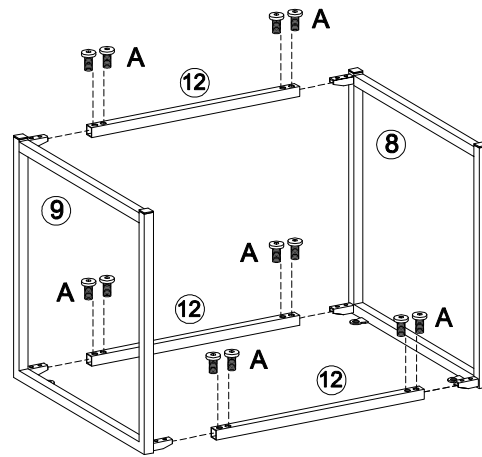
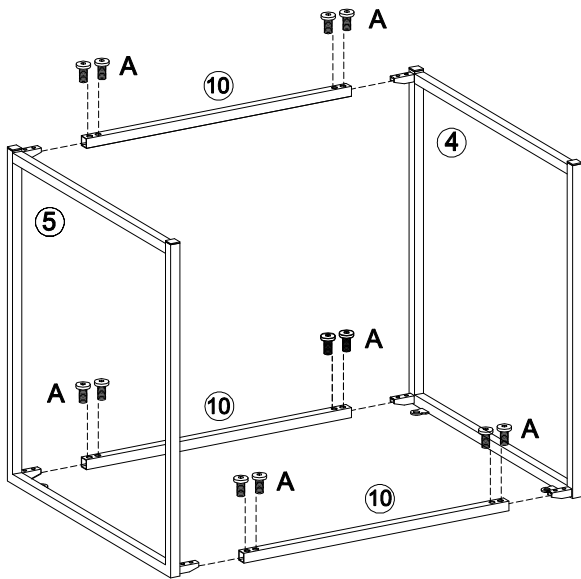
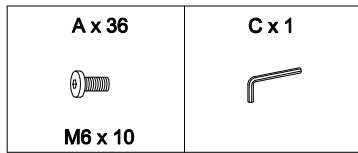


			✓
①	1	500*500*6	
②	1	450*450*6	
③	1	400*400*6	
④	1	498*540*51	
⑤	1	498*540*51	
⑥	1	448*490*51	
⑦	1	448*490*51	
⑧	1	398*440*51	
⑨	1	398*440*51	
⑩	3	16*16*466	
⑪	3	16*16*416	
⑫	3	16*16*366	

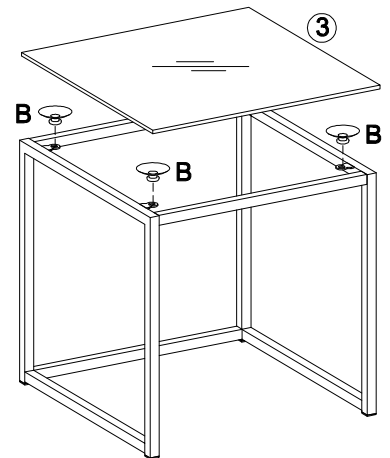
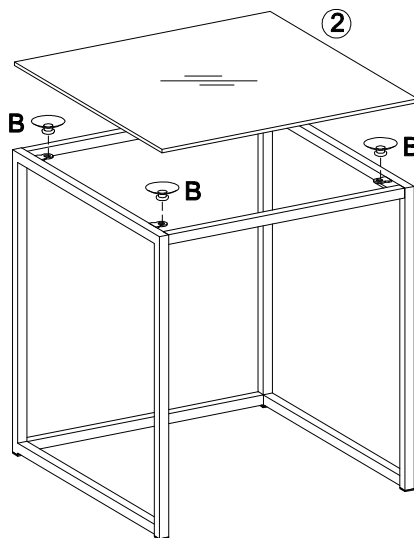
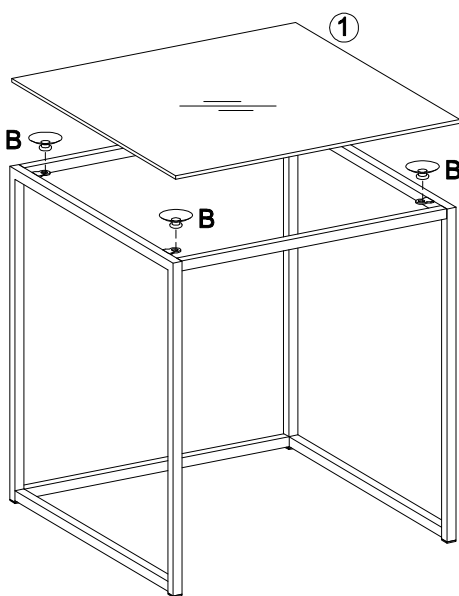
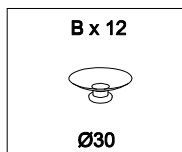


A x 36  M6 x 10	B x 12  Ø30	C x 1 
--	--	---

1



2



3

